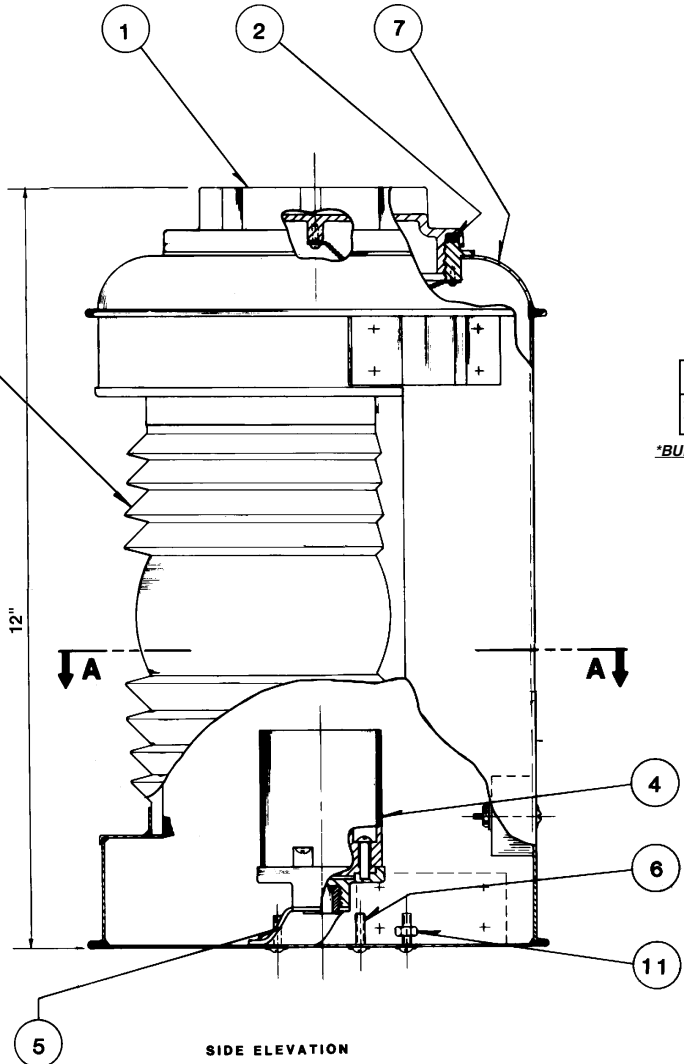
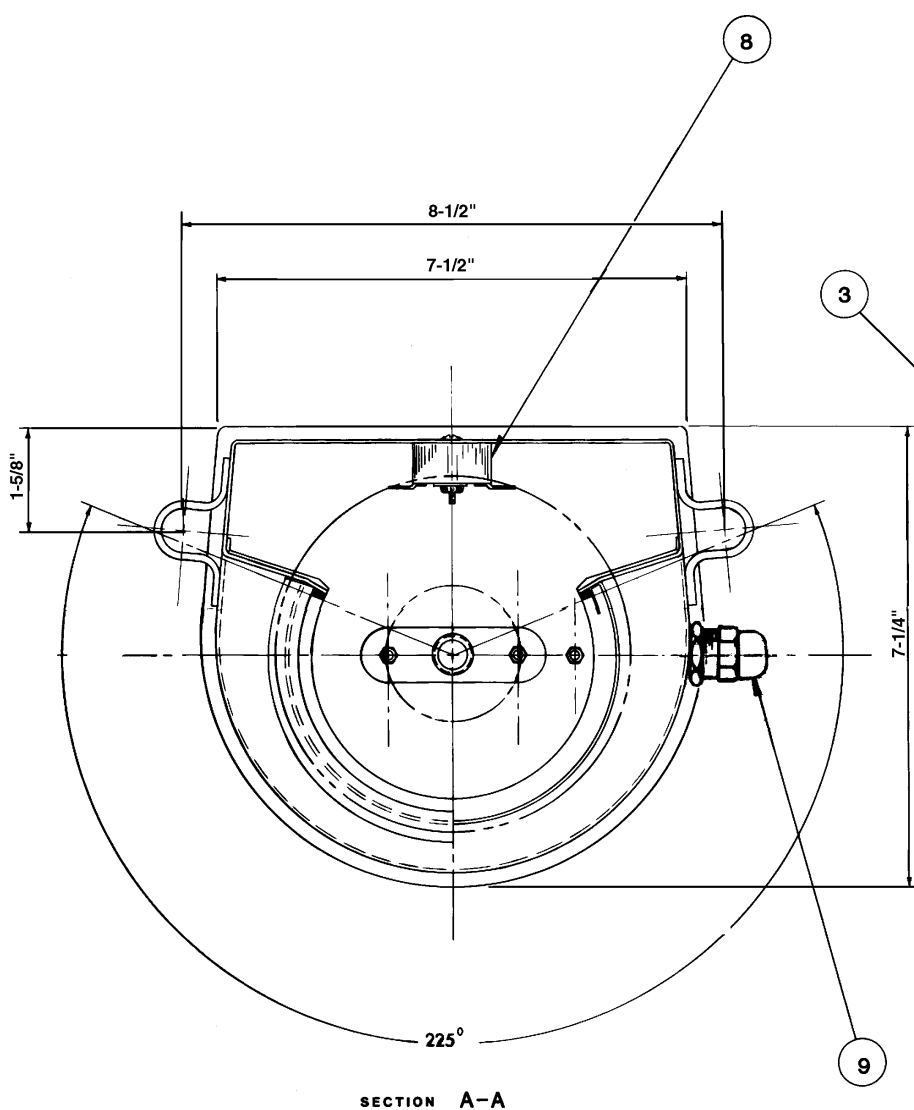


PERKO®



Bill of Material

No.	Name of Piece	No. Req.	Material	Size & Spec.
1	Cap & Cable	1	Polycarb.	Cat. No. 1105000BLK
2	O-Ring Fig. No. 1119	1	Nesprene	4-5/8" x 4-1/4" x 1/8"
3	Lens	1	Polycarb.	See Note #1
4	Socket	1		See Note #2
5	Socket Support Stand	1	Brass	Fig. No. 0341001PLB
6	Socket, Mounting Screws	2	Brass	8-32 x 3/8" R.H.
7	Body	1	Brass or Galv. Steel	20 GA-.032
8	Electronic Flasher Cat. No. 0133	1	120 Volts AC Only Rate: 60 Flashes per Minute	
9	Packing Gland	1	Plastic	For 7/16" Cable
11	Ground Screw & Nut	1	Brass	8-32 x 3/8" R.H.

- NOTES:**
- Lens - Yellow, American Made Fresnel
225° PERKO Cat. No. 0256001YLW
 - Socket - Medium Prefocus Phenolic, 250 Volts,
1000 Watts Bryant No. 3743, UL Listed
(Cat. No. 0347A00)
 - Weight - 6-5/8 Pounds

VISIBILITY AND WATTAGE SPECIFICATIONS*

Cat. No.	Description	Visible Arc	Visible Miles	Reg. Watts	Lamp Cat. No.
1111ME1GAL 1111ME1PLB	Special Yellow Flashing	225°	2	60	0342004CLR

***BULB DATA - THESE ARE SPECIAL PERKO NAVIGATION LAMPS, 120 VOLTS, T-10, MEDIUM PIFOCUS BASE, C-8 FILAMENT, CLEAR 2-3/8 INCH L.C.L., AND MUST BE USED TO MEET THE U.S. COAST GUARD REQUIREMENTS.**

WIRING DIAGRAM FOR SPECIAL FLASHING YELLOW LIGHT

This light is designed to meet Federal Requirements under the U.S. Inland Navigation Rules Act of 1980, requiring a flashing yellow 180° - 225° light. See applicable Inland Rules for technical details.

WIRING INSTRUCTIONS

- Flasher Module is designed to operate on 120 volt ± 15% A.C. system only.
- Required lamp for compliance to the two mile visibility requirement is PERKO Cat. No. 0342004CLR (60 Watt - 120 Volt).
- Flasher Module must be wired in series with the lamp as illustrated.
- Actual wiring must be accomplished by a qualified marine electrician to all applicable codes and regulations.

PERKO®

16490 N.W. 13th Avenue Miami, FL 33169-5707

Date: 11/3/82 Drawn By: D. Beutler

Scale: None Revised: 9/12/01

**FIG. 1111ME1GAL AND FIG. 1111ME1PLB
SPECIAL YELLOW FLASHING LIGHT**